

## 9065S LUMINESCENT DISSOLVED OXYGEN SMART SENSOR

The 9065S Luminescent Dissolved Oxygen Smart Sensor utilizes the same reliable luminescent technology for measuring dissolved oxygen in water at ppb levels, with your electronics platform.

Luminescent technology features superior benefits and cost savings compared to traditional dissolved oxygen sensing technologies. The 9065S provides high accuracy with excellent long-term stability. The 9065S Dissolved Oxygen Analyzer can be used in a variety of online analysis applications throughout many different industries.

### FEATURES

Connects with any 4 - 20 mA display

No sensor maintenance (no membrane, no electrolyte)

No calibration or service for up to a year

Three measurement ranges:  
0-20 ppb; 0-200 ppb, 0-2000 ppb

Extremely fast response time, 30 seconds (preset)

No sample interferences

Excellent results independent of sample flow rate

Simple operation

Rugged and compact design

Save space and money by eliminating the need for transmitters



See reverse side for specifications.

## 9065S DISSOLVED OXYGEN SMART SENSOR | GENERAL SPECIFICATIONS

### PERFORMANCE

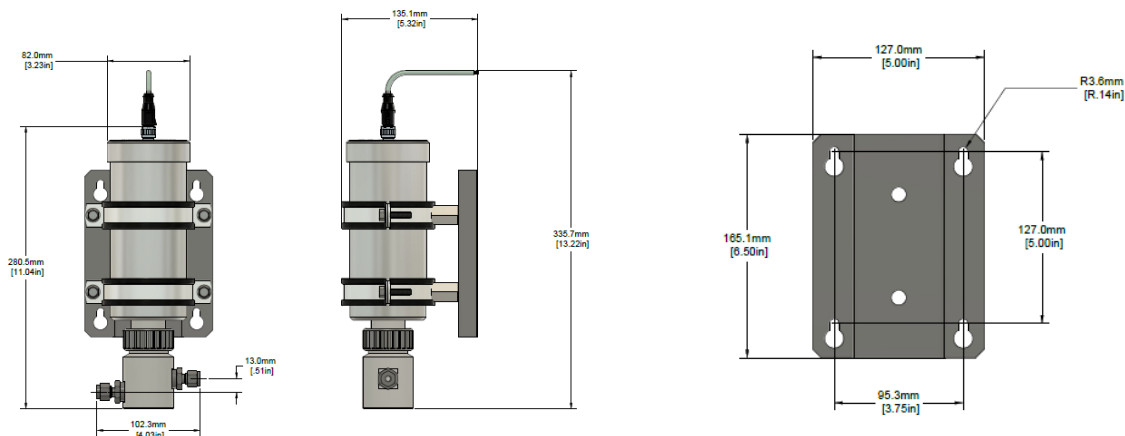
<b>Range</b>	0-20 ppb, 0-200 ppb, 0-2000 ppb
<b>Accuracy</b>	+/- 0.6ppb at 1ppb / 2% of the measured value
<b>Sample Rate</b>	One sample every 30 sec
<b>Units</b>	PPB
<b>Current Outputs</b>	(1) 4-20mA current output (Sink)
<b>Power</b>	12 - 24V DC, 1.5 W
<b>Calibration</b>	Yearly sensor exchange program
<b>Options</b>	Panel mount display

### SAMPLE DELIVERY OPERATING CONDITIONS

<b>Ambient Temperature</b>	32 - 131°F (0 - 55°C)
<b>Sample Medium</b>	Liquid
<b>Sample Temperature</b>	23 - 113°F (-5 - 40°C)
<b>Sample Pressure</b>	Maximum of 145 psig (10 bar)
<b>Sample Interferences</b>	None
<b>Sample Connection</b>	1/4" OD SS Tubing (Swagelok)

### MECHANICAL

<b>Construction / Finish</b>	Stainless Steel / Corrosion Resistant
<b>Materials in Contact w/ Sample</b>	Stainless Steel
<b>Dimensions</b>	Sensor: Height = 11" (280 mm), Width = 5" (127 mm), Depth = 5.3" (135 mm)
<b>Mounting</b>	Wall mount
<b>Weight</b>	4.9 lbs (2.2 kg)
<b>Degree of Protection</b>	IP 67 Connections
<b>Distance</b>	Up to 49 ft. (15 meters) on request



105-052-A.1